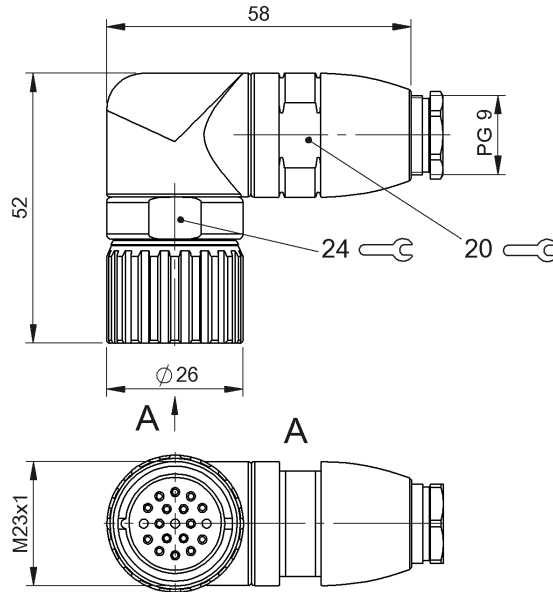


Field-Attachable Connectors
BCC M68L-0000-10-000-54XLA0-000
Order Code: BCC08HK

BALLUFF



Basic features

Approval/Conformity	CE WEEE
---------------------	------------

Electrical connection

Cable diameter D	6...10 mm
Connection	M23x1-Female, angled, 19-pin
Number of connectable contacts	19
System	Can be fabricated

Electrical data

Operating voltage U_b	150 VDC
Rated current 1.0 mm ² (40 °C)	8.0 A
Rated current 1.5 mm ² (40 °C)	10.0 A

Environmental conditions

Ambient temperature	-20...125 °C
IP rating	IP67

Material

Material grip	Brass nickel-plated
---------------	------------------------

Mechanical data

Type of wire mounting	Solder connections
Wire cross-section flexible	1.0 mm ² + 1.5 mm ²

Remarks

Enclosure rating per IEC 60529, only in screwed state with the associated mating piece.

Connector Drawings

